

HPG Enhanced Plus Filter Housing

- high pressure air / gas

- Flow efficient range of housings for sterile filtration higher pressure air and gases
- Standard, sanitary & sanitary electropolished surface finishes available
- A number of inlet / outlet port connections available
- Range of vent and drain options
- Two pressure ratings:
 - 25 barg (363 psig) @ 130 °C (266 °F)
 - Typical application CO₂ & nitrogen sterile filtration
 - Higher pressure steam to 16 barg (232 psig)
 - 40 barg (580 psig) @ 130 °C (266 °F)
 - Typical application PET bottle blowing
 - Higher pressure steam to 32 barg (464 psig)
 - Group 1 gases, solvents and vapours to 16 barg (232 psig)



Specification

Materials of Construction

- Housing: 316L Stainless Steel
- Seals: EPDM FDA
Silicone FDA
Viton FDA
- Vent/Drain Seals: PTFE FDA

Surface Finish

- Standard
 - Internal: As welded
Pickled & Passivated
 - External: Polished 0.8 µm Ra
- Sanitary
 - Internal: Polished 0.4 µm Ra
 - External: Polished 0.25 µm Ra
- Sanitary Electropolished
 - Internal: Polished 0.4 µm Ra and Electropolished
 - External: Polished 0.25 µm Ra

Welding

All assembly welds are full penetration. All welds are crevice and undercut free.
Weld finish & detail drawings available upon request.

Design Code

Housings designed in accordance with the European Council Pressure Equipment Directive (PED) 97/23/EC and the UK statutory Pressure Equipment Regulations (PER) 1999 N° 2001.

Design Basis

ASME VIII Division 1.

HPG25			Maximum Pressure					
Fluid Group	State	Temperature	01B	01A	01K	011	012	013
Non Dangerous	Gas / Vapour	130 °C (266 °F)	25.00 barg (362.00 psig)	25.00 barg (362.00 psig)	25.00 barg (362.00 psig)	25.00 barg (362.00 psig)	25.00 barg (362.00 psig)	25.00 barg (362.00 psig)
	Steam	204 °C (400 °F)	16.00 barg (232.06 psig)	16.00 barg (232.06 psig)	16.00 barg (232.06 psig)	16.00 barg (232.06 psig)	16.00 barg (232.06 psig)	16.00 barg (232.06 psig)
PED Conformity Assessment Category			SEP	SEP	CAT I	CAT I	CAT I	CAT I
Volume (litres)			0.5	0.7	2.5	3.5	5.5	7.5

HPG40			Maximum Pressure					
Fluid Group	State	Temperature	01B	01A	01K	011	012	013
Non Dangerous	Gas / Vapour	130 °C (266 °F)	40.00 barg (580.00 psig)	40.00 barg (580.00 psig)	40.00 barg (580.00 psig)	40.00 barg (580.00 psig)	40.00 barg (580.00 psig)	40.00 barg (580.00 psig)
	Steam	239 °C (462 °F)	32.00 barg (464.12 psig)	32.00 barg (464.12 psig)	32.00 barg (464.12 psig)	32.00 barg (464.12 psig)	32.00 barg (464.12 psig)	32.00 barg (464.12 psig)
PED Conformity Assessment Category			SEP	SEP	CAT I	CAT II	CAT II	CAT II
Volume (litres)			0.5	0.7	2.5	3.5	5.5	7.5

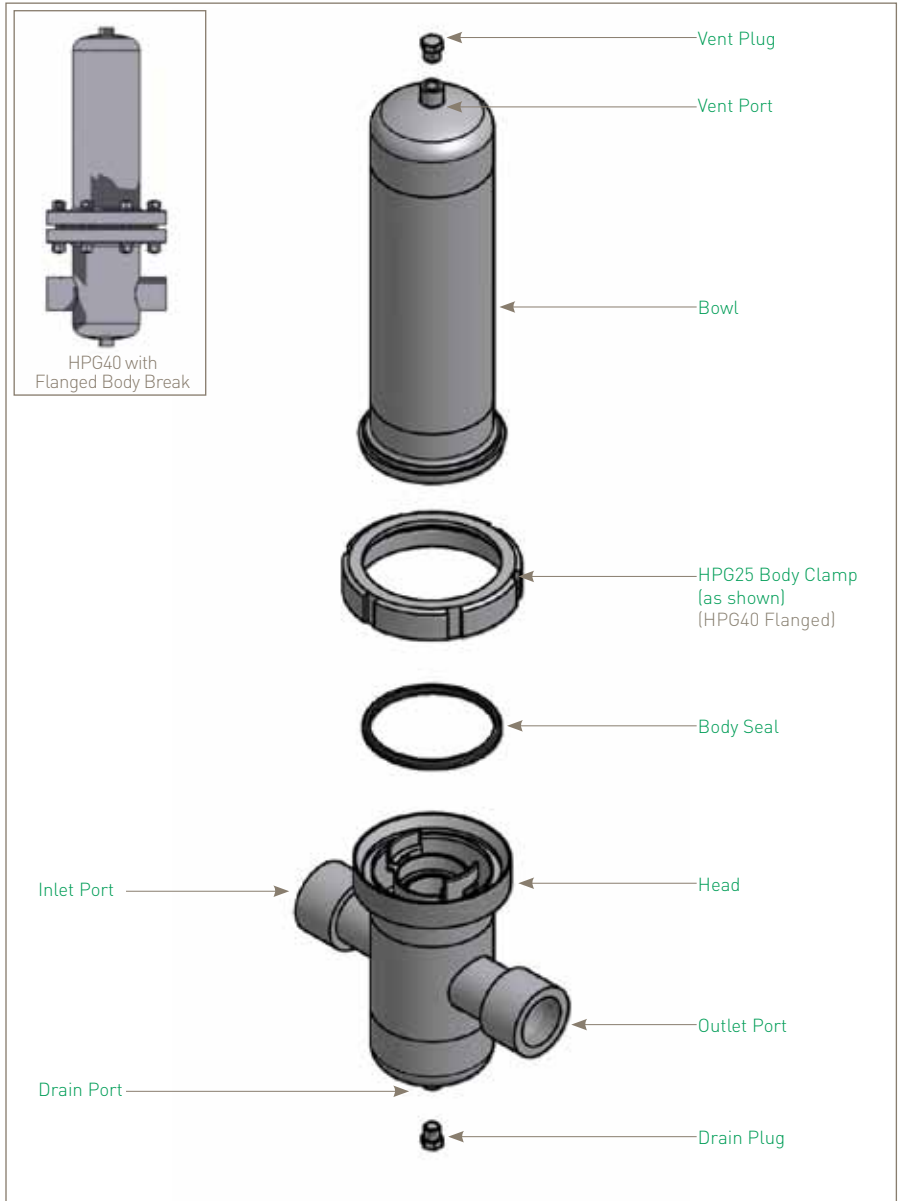
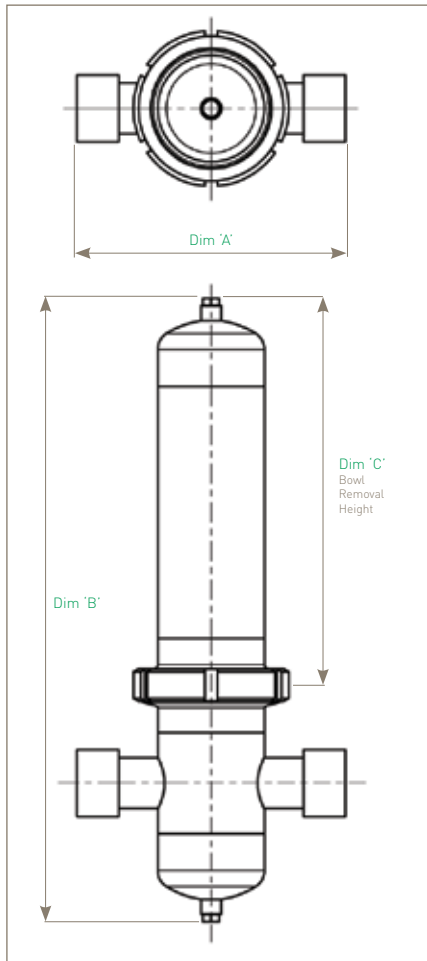
HPG40			Maximum Pressure					
Fluid Group	State	Temperature	01B	01A	01K	011	012	013
Dangerous Group 1	Gas / Vapour	130 °C (266 °F)	16.00 barg (232.06 psig)	16.00 barg (232.06 psig)	16.00 barg (232.06 psig)	16.00 barg (232.06 psig)	16.00 barg (232.06 psig)	16.00 barg (232.06 psig)
PED Conformity Assessment Category			SEP	SEP	CAT I	CAT II	CAT II	CAT II
Volume (litres)			0.5	0.7	2.5	3.5	5.5	7.5

Note: All housings are fully vacuum rated.

Physical Characteristics

	Bowl Height	Dimensions (mm)			Typical Weight (Kg)		
		'A'	'B'	'C'	Bowl	Head	Total
B Size	(65 mm)	175	253	70	0.75	1.50	2.25
A Size	(125 mm)	175	308	130	1.00	1.50	2.50
K Size	(125 mm)	259	398	223	1.00	5.40	7.00
10"	(250 mm)	259	550	342	1.60	5.40	7.60
20"	(500 mm)	259	800	590	2.60	5.40	8.60
30"	(750 mm)	259	1050	840	3.60	5.40	9.60

Dimensions shown are for a vessel with 1 1/2" BSPP, 1/4" BSPP vent and drain. For other formats, please contact Parker domnick hunter.



Ordering Information

HPG

01

Code Vessel Class		Code Length (Nominal)		Code Connection Size		Code Standard		Code Cartridge		Code Seal		Code Vent		Code Drain	
25	25 barg	B	2.5" (65 mm)	B	1" [25.4 mm]	B	BSPP (F)	C	226	E	EPDM	B	1 1/2" BSPP (F)	B	G 1/4" BSPP
40	40 barg	A	5" (125 mm)	Y	1 1/2" [49.3 mm]	H	ANSI RF 300	T	126	P	PTFE	N	1 1/4" NPT (F)	N	G 1/4" NPT
		K	5" (125 mm)			L	ISO / DIN			S	Silicone				
		1	10" (250 mm)			N	NPT (F)			V	Viton				
		2	20" (500 mm)			W	Weld End								
		3	30" (750 mm)												

- Notes:
- Demi A & B housings have 1" OD (25.4 x 1.6 - BS4825) connections only and TRUESEAL (Code T) cartridge, DIN Union body break.
 - K - 30" housings have 1.5" (48.3 x 2.77 ANSI B36.19) connection and 226 (Code C) cartridges.
 - Sanitary - screwed and traditional flanges not considered sanitary.
 - Flanged 'L' code connections as follows: HPG25 ISO DIN PN40
HPG40 ISO DIN PN63

Code Surface Finish		Internal	External
B	Sanitary	0.4 µm	0.25 µm
I	Standard	As Welded	0.8 µm
P	Sanitary Electropolish	0.4 µm EP	0.25 µm

For Tagged Options customer identification numbers required at time of ordering

Code Tagged	
T	Yes
X	No