

HSI Filter Housings

- in-line sanitary liquid & gas

- In-line sanitary liquid & gas housing
- Designed specifically for the food and beverage and pharmaceutical industry
- Sanitary tri-clamp body closure as standard
- STANDARD product
 - Sanitary surface finish
 - Tri-clamp connections
- PLUS product
 - Available in 3 different vessel classes: Standard (CE), Atex & High Pressure
 - Sanitary or sanitary electropolished surface finish options
 - Wide range of vent and drain connections
 - Choice of gasket and seal materials



Specification

Materials of Construction

- Housing: 316L Stainless Steel
- Seals: Silicone FDA
- Clamps: 304 Stainless Steel

STANDARD Range Surface Finish

- Internal: Polished 0.4 µm Ra (16 µIn Ra)
 - External: Polished 0.25 µm Ra (10 µIn Ra)
- All finishes pickled & passivated.*

Materials of Construction

- Housing: 316L Stainless Steel
- Seals: EPDM FDA
PTFE FDA
Silicone FDA
Viton FDA
- Clamps: 304 Stainless Steel

PLUS Range Surface Finish

- Sanitary Finish
 - Internal: Polished 0.4 µm Ra (16 µIn Ra)
 - External: Polished 0.25 µm Ra (10 µIn Ra)
- Sanitary Electropolished Finish
 - Internal: Polished 0.4 µm Ra (16 µIn Ra) and Electropolished
 - External: Polished 0.25 µm Ra (10 µIn Ra)

Welding

All assembly welds are full penetration. All welds are crevice and undercut free.

Weld finish & detail drawings available upon request.

Certification

Supplied as standard with vessel inspection certificate.

Material Test Certification

EN10204 3.1 supplied upon request.

Design Code

Housings designed in accordance with the European Council Pressure Equipment Directive (PED) 97/23/EC and the UK statutory Pressure Equipment Regulations (PER) 1999 N° 2001.

PED / PER conformity assessments based on Fluid Group 2 Gas (harmless) including steam. Only housings over PS.V 50 bar / litres bear the CE mark.

Design Basis

ASME VIII Division 1.

Standard Range

Working Condition PED 97/23/EC			Maximum Pressure				
Fluid Group	State	Temperature	01A	01B	011	012	013
Non Dangerous	Liquid / Gas	150 °C (302 °F)	10.00 barg (145.03 psig)	10.00 barg (145.03 psig)	10.00 barg (145.03 psig)	10.00 barg (145.03 psig)	10.00 barg (145.03 psig)
Dangerous	Liquid / Gas	150 °C (302 °F)	10.00 barg (145.03 psig)	10.00 barg (145.03 psig)	5.00 barg (72.51 psig)	5.00 barg (72.51 psig)	5.00 barg (72.51 psig)
PED Conformity Assessment Category			SEP	SEP	SEP	SEP	CAT I
Volume (litres)			0.75	0.5	2.9	4.8	6.7

Plus Range

CE Working Condition PED 97/23/EC			Maximum Pressure						
Fluid Group	State	Temperature	01A	01B	01K	011	012	013	014
Non Dangerous	Gas / Vapour	150 °C (302 °F)	10.00 barg (145.03 psig)	10.00 barg (145.03 psig)	10.00 barg (145.03 psig)	10.00 barg (145.03 psig)	10.00 barg (145.03 psig)	10.00 barg (145.03 psig)	10.00 barg (145.03 psig)
Dangerous	Gas / Vapour	150 °C (302 °F)	10.00 barg (145.03 psig)	10.00 barg (145.03 psig)	5.00 barg (72.51 psig)	5.00 barg (72.51 psig)	5.00 barg (72.51 psig)	5.00 barg (72.51 psig)	5.00 barg (72.51 psig)
Non Dangerous	Liquid	150 °C (302 °F)	10.00 barg (145.03 psig)	10.00 barg (145.03 psig)	10.00 barg (145.03 psig)	10.00 barg (145.03 psig)	10.00 barg (145.03 psig)	10.00 barg (145.03 psig)	10.00 barg (145.03 psig)
Dangerous	Liquid	150 °C (302 °F)	10.00 barg (145.03 psig)	10.00 barg (145.03 psig)	5.00 barg (72.51 psig)	5.00 barg (72.51 psig)	5.00 barg (72.51 psig)	5.00 barg (72.51 psig)	5.00 barg (72.51 psig)
PED Conformity Assessment Category			SEP	SEP	SEP	SEP	SEP	CAT I	CAT I
Volume (litres)			0.75	0.5	1.7	2.9	4.8	6.7	8.6

ATEX Working Condition PED 97/23/EC			Maximum Pressure						
Fluid Group	State	Temperature	01A	01B	01K	011	012	013	014
Non Dangerous	Gas / Vapour	135 °C (275 °F)	10.00 barg (145.03 psig)	10.00 barg (145.03 psig)	10.00 barg (145.03 psig)	10.00 barg (145.03 psig)	10.00 barg (145.03 psig)	10.00 barg (145.03 psig)	10.00 barg (145.03 psig)
Dangerous	Gas / Vapour	135 °C (275 °F)	10.00 barg (145.03 psig)	10.00 barg (145.03 psig)	5.00 barg (72.51 psig)	5.00 barg (72.51 psig)	5.00 barg (72.51 psig)	5.00 barg (72.51 psig)	5.00 barg (72.51 psig)
Non Dangerous	Liquid	135 °C (275 °F)	10.00 barg (145.03 psig)	10.00 barg (145.03 psig)	10.00 barg (145.03 psig)	10.00 barg (145.03 psig)	10.00 barg (145.03 psig)	10.00 barg (145.03 psig)	10.00 barg (145.03 psig)
Dangerous	Liquid	135 °C (275 °F)	10.00 barg (145.03 psig)	10.00 barg (145.03 psig)	5.00 barg (72.51 psig)	5.00 barg (72.51 psig)	5.00 barg (72.51 psig)	5.00 barg (72.51 psig)	5.00 barg (72.51 psig)
PED Conformity Assessment Category			SEP	SEP	SEP	SEP	SEP	CAT I	CAT I
Volume (litres)			0.75	0.5	1.7	2.9	4.8	6.7	8.6

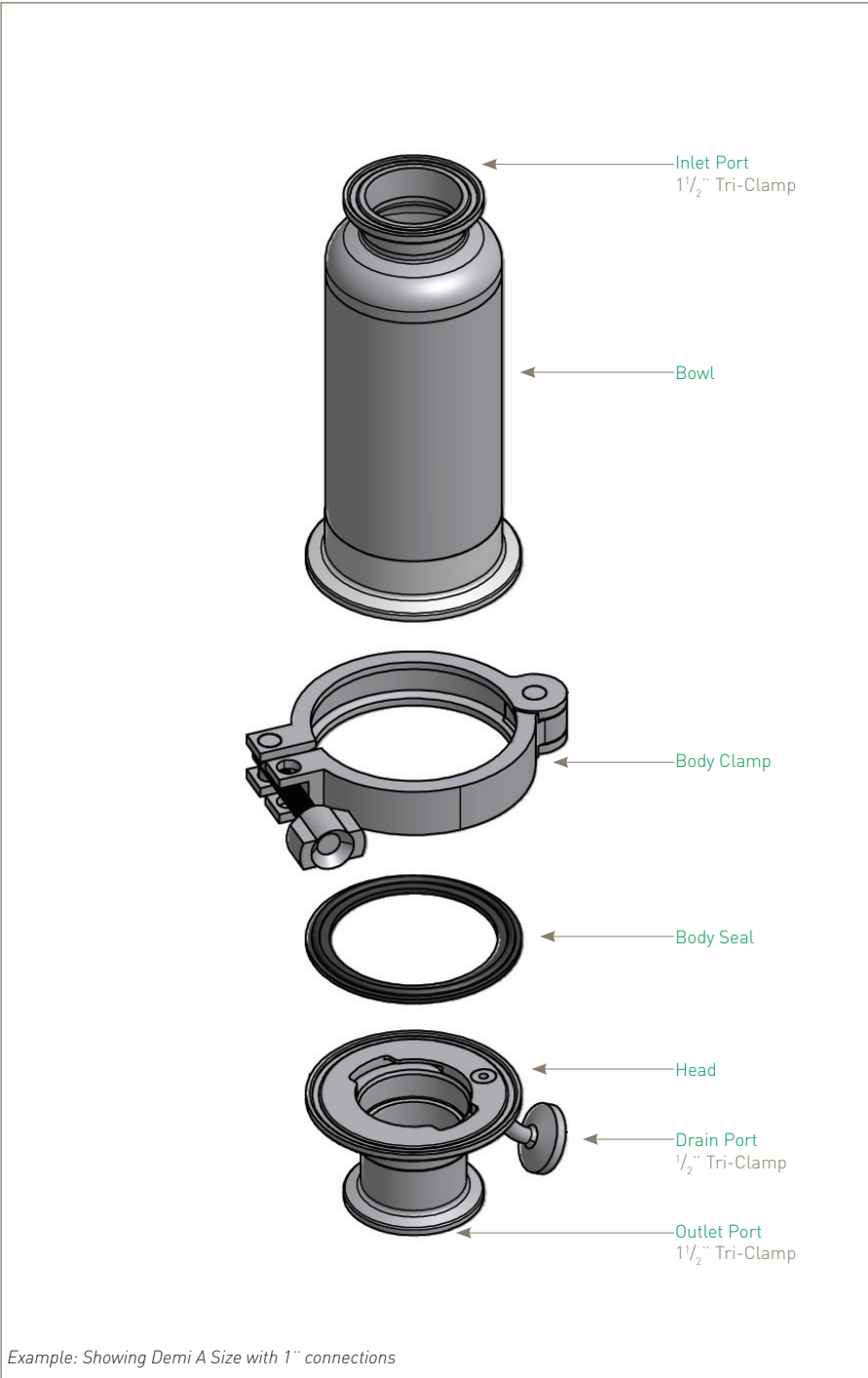
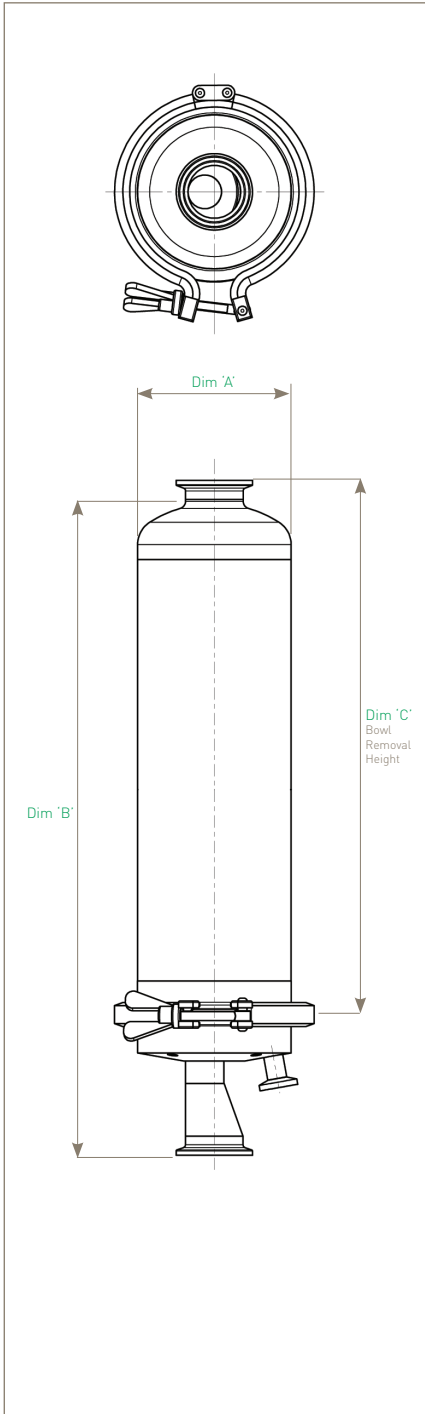
High Pressure Working Condition PED 97/23/EC			Maximum Pressure						
Fluid Group	State	Temperature	01A	01B	01K	011	012	013	014
Non Dangerous	Gas / Vapour / Liquid	205 °C (401 °F)	16.00 barg (232.06 psig)	16.00 barg (232.06 psig)	16.00 barg (232.06 psig)	16.00 barg (232.06 psig)	16.00 barg (232.06 psig)	16.00 barg (232.06 psig)	16.00 barg (232.06 psig)
PED Conformity Assessment Category			SEP	SEP	SEP	SEP	CAT I	CAT I	CAT I
Volume (litres)			0.75	0.5	1.7	2.9	4.8	6.7	8.6

Note: All housings are fully vacuum rated.

Physical Characteristics

Bowl Height	Dimensions (mm)			Typical Weight
	'A'	'B'	'C'	
A Size 125 mm [5"]	63.5 mm [2.5"]	207 mm [8.1"]	130 mm [5.1"]	1.0 Kg [2.2lbs]
B Size 65 mm [2 1/2"]	63.5 mm [2.5"]	152 mm [6.0"]	70 mm [2.8"]	0.8 Kg [0.03lbs]
250 mm [10"]	101.6 mm [4"]	449 mm [17.7"]	313 mm [12.3"]	3.6 Kg [7.9 lbs]
500 mm [20"]	101.6 mm [4"]	699 mm [27.5"]	561 mm [22.1"]	4.6 Kg [10.1 lbs]
750 mm [30"]	101.6 mm [4"]	944 mm [37.2"]	809 mm [31.9"]	5.6 Kg [12.3 lbs]

Dimensions shown are based on the STANDARD range. For accurate dimensions, please contact Parker domnick hunter.



Example: Showing Demi A Size with 1" connections

The PLUS product range is available with many options of connections, vents, drains, surface finish, seals classification, etc. Please see product coding.

STANDARD Range - 10" to 30"

HSI 01 - -

Code Vessel Class	Code Length (Nominal)	Code Connection Size	Code Standard	Code Cartridge	Code Seal
CE Standard	1 10" (250 mm) 2 20" (500 mm) 3 30" (750 mm)	Y 1 1/2" (38.1 mm)	T Tri-Clamp	C 226	S Silicone

STANDARD Range - Demi A & B

HSI 01 - -

Code Vessel Class	Code Length (Nominal)	Code Connection Size	Code Standard	Code Cartridge	Code Seal
CE Standard	A 5" (125 mm) B 2 1/2" (65 mm)	Y 1 1/2"	T Tri-Clamp	T 216	S Silicone

PLUS Range - K to 40"

HSI 01 - - -

Code Vessel Class	Code Length (Nominal)	Code Connection Size	Code Standard	Code Cartridge	Code Seal	Code Vent	Code Drain
CE Standard AT ATEX HP* High Pressure	K 5" (125 mm) 1 10" (250 mm) 2 20" (500 mm) 3 30" (750 mm) 4 40" (1000 mm)	Y 1 1/2" (38.1 mm)	T Tri-Clamp	C 226	E EPDM P* PTFE S Silicone V Viton	H 1 1/2" TCF & Hosebarb I 1 1/2" TCF & Staubli RBE03 M 1 1/2" TCF & 1/2" TCF R 1 1/2" TCF & Rectus 21 X No Vent	H Hosebarb R Rectus 21 S Staubli RBE03 T 1/2" TCF X No Drain

* Supplied complete with a double bolted clamp

Code Surface Finish	Internal	External
B Sanitary	0.4 µm	0.25 µm
P Sanitary Electropolished	0.4 µm EP	0.25 µm

Code Tagged	
T	Yes
X	No

For Tagged Options customer identification numbers required at time of ordering

PLUS Range - Demi A & B

HSI 01 - - -

Code Vessel Class	Code Length (Nominal)	Code Connection Size	Code Standard	Code Cartridge	Code Seal	Code Vent	Code Drain
CE Standard AT ATEX HP* High Pressure	A 5" (125 mm) B 2 1/2" (65 mm)	Y 1 1/2"	T Tri-Clamp	T 126	E EPDM P* PTFE S Silicone V Viton	H ⁽¹⁾ 1 1/2" TCF & Hosebarb I ⁽¹⁾ 1 1/2" TCF & Staubli RBE03 M ⁽¹⁾ 1 1/2" TCF & 1/2" TCF R ⁽¹⁾ 1 1/2" TCF & Rectus 21 X No Vent	H Hosebarb R Rectus 21 S Staubli RBE03 T 1/2" TCF X No Drain

* Supplied complete with a double bolted clamp

Code Surface Finish	Internal	External
B Sanitary	0.4 µm	0.25 µm
P Sanitary Electropolished	0.4 µm EP	0.25 µm

Code Tagged	
T	Yes
X	No

For Tagged Options customer identification numbers required at time of ordering