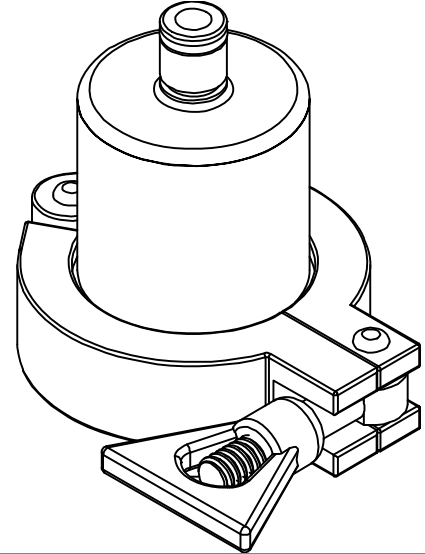


Junior SS Housing (JHT)

The ZenPure Junior Stainless Steel Housing may be used for simple, quick, and efficient filtration. The Junior SS housing may be quickly assembled and disassembled for rapid change outs especially with quick connect fittings with the use of PureFlo Junior Cartridges to meet the needs of your small scale application.

The unit may be used for applications in both gas and liquids. All wetted surfaces are constructed of 316L stainless steel and are electropolished, providing excellent corrosion resistance.

The unit is designed for ease of use. The compact design allows for minimal fluid waste in a compact design. A sanitary clamp provides quick and secure assembly and disassembly with no tools required. These Junior stainless steel housings are ideal for laboratory, small production or pilot scale operations. The ZenPure Junior filters utilized with these housing can be scaled up to as large as 40" filter with the same exact material of construction.



Applications	
POU Filtration	Gas Filtration
Small volume	Out door use
Ink	Process Water
Chemicals	Solvents
Scale testing	Laboratory

Specifications

Materials of Construction: Head: 316L Stainless Steel
 Bowl: 316L Stainless Steel
 Screen: 316 Stainless Steel
 Sanitary Clamp: 304 Stainless Steel
 O-Rings: EPDM, Silicon , Fluoroelastomer

Fitting Connections: See ordering guide for availability.
 (Custom adaptors available upon request)

Filter required: PureFlo Junior Cartridge with 1Q fitting

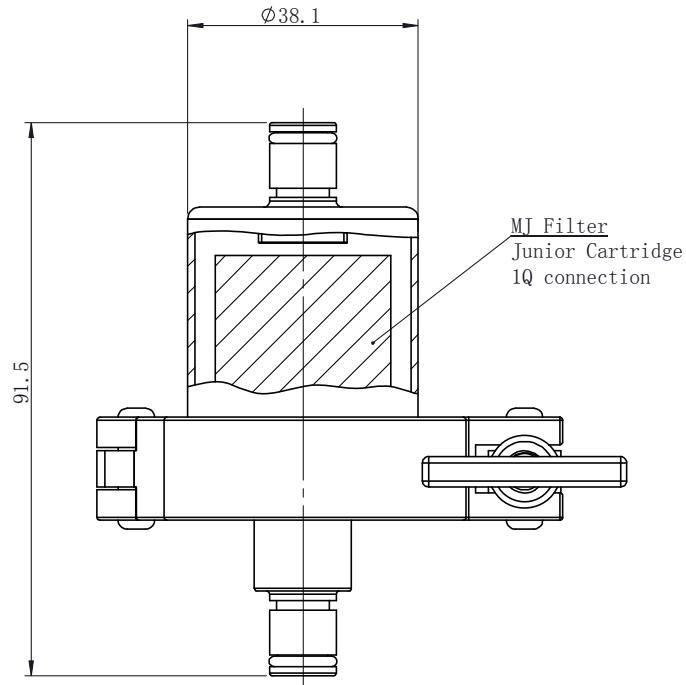
Dimensions : Width: 1.5 in (31.8 mm) Plus Sanitary clamp 3.5 in (89mm)
 Height: 3.6 in (91.5 mm) - fitting dependent

Finish: Electro-polished Finish

Operating Conditions: Maximum Working Pressure: 87 psid @ 72 °F/22 °C (6 bar)

Connections: Compression, MNPT, Hose Barb, Female Luer Lock or Quick Coupling

Junior SS Housing



Junior Stainless Steel Housing Ordering Guide

Junior Housing	Closure Mechanism	Length	Cartridge Code	Inlet Fittings	Outlet Fittings	Vent	O-Ring
JH = Stainless Junior Housing	T = Sanitary Clamp	H = 1.5" S = 2.5"	Q = 1Q	1N = 1/8" MNPT 1Q = 1/8" Male Quick Coupling 2C = 1/4" Compression 2H = 1/4" Hose Barb 2N = 1/4" MNPT 2Q = 1/4" Male Quick Coupling 3N = 3/8" MNPT LF = Female Luer lock Other fitting possible by request	1N = 1/8" MNPT 1Q = 1/8" Male Quick Coupling 2C = 1/4" Compression 2H = 1/4" Hose Barb 2N = 1/4" MNPT 2Q = 1/4" Male Quick Coupling 3N = 3/8" MNPT LF = Female Luer lock Other fitting possible by request	1V = Valve with 1/8" Hose Barb 2C = 1/4" Compression LF = Female Luer lock NV = No Vent	E = EPDM S = SILICONE V = Fluoroelastamer
Example - 1.5" Stainless Steel Junior Housing with 1/4" Male Quick Coupling I/O, no vent and SIL O-ring, for MJ-H-1Q cartridges - <i>JHTH2Q2QNVS</i>							

ZenPure

Your Local Distributor:

ZenPure

North & South Americas:
 ZenPure Americas, Inc
www.zenpure.com
info-us@zenpure.com
 703-335-9910

All Other Regions:
 ZenPure Corporation
www.zenpure.com
info@zenpure.com
 +86 571 2288 6800

ZenPure and PureFlo are registered trademarks of ZenPure Corporation or an affiliated company. Copyright 2003-2012 ZenPure or an affiliated company. All rights reserved.

F58 Rev 2012.10

