



Absolute Rated Polypropylene Filter Cartridges for Inks, Slurries and Coatings

„LOFPLEAT-HV from Eaton is an all-polypropylene filter cartridge with unique characteristics that are ideal for inks, CMP point-of-use and bulk slurries, adhesives, paints, beverages, and coatings.“

LOFPLEAT-HV is designed for the filtration of compounds containing agglomerated particles and gels or with high viscosity.

The extra-life depth filter configuration allows for absolute retention performance throughout the pleated, serialized microfiber matrix. The large surface area and optimized structure provides higher flow rates and throughputs than cylindrical melt blown filters.

Features and Benefits

- High surface area and graduated pore structure
- Manufactured from all polypropylene construction for optimum compatibility with wide range of system liquids

- Pleated media offers best combination of retention, flow rate and throughput
- Superior agglomerated particle and gel retention
- Constructed from FDA approved materials that meets USP Class VI biological tests for plastics
- All common end configurations available to fit most filter housings

Filter Specifications

Media

Polypropylene

Core, cage, end caps

Polypropylene

Gaskets / O-Rings

Silicone, Viton®, EPDM, Buna, FEP encapsulated Viton (O-Rings only)

Micron ratings

0.45; 0.5; 1; 3; 5; 10; 20; 40 µm

Dimensions / Parameters

Nominal lengths

5"; 9.75"; 10"; 20"; 30"; 40"
(12.7; 24.7; 25.4; 50.8; 76.2; 101.6 cm)

Outside diameter

2.7" (6.9 cm)

Inside diameter

1.1" (2.79 cm)

Surface area

0.22 m² (2.4 ft²) per 10 inch element

Max. operating temp.

80°C (176°F)

Max. differential pressure

5.2 bar @ 21°C (75 psid @ 70°F)
2.8 bar @ 80°C (40 psid @ 176°F)
1.03 bar @ 88°C (15 psid @ 190°F)

Max. reverse differential pressure

2.4 bar @ 27°C (35 psid @ 80°F)

Recommended change-out pressure for disposal

2.43 bar (35 psid)

Sterilization

Cartridges may be autoclaved for 30 minutes at 121°C (250°F) under no end load conditions. May be inline sanitized with 85°C (185°F) hot water— do not exceed 0.21 bar (3 psid).

Filter Removal Efficiency			
Beta Ratio Efficiency	Beta 1000 99.9%	Beta 100 99%	Beta 50 98%
0.45 µm	0.45	0.3	0.2
0.5 µm	0.65	0.45	0.3
1 µm	1.5	0.8	0.6
3 µm	3	2	1
5 µm	5	4	3
10 µm	10	8	7
20 µm	20	19	17
40 µm	40	35	25



The LOFPLEAT-HV filter is available with a variety of gasket, O-ring and end cap configurations.

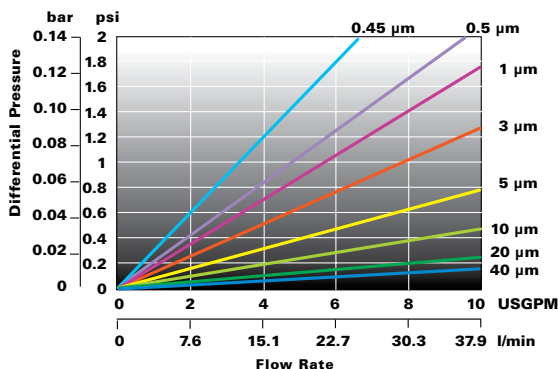
$$\text{Beta-Ratio} = \frac{\text{Upstream particle counts}}{\text{Downstream particle counts}}$$

Typical pleated filters shown on top.



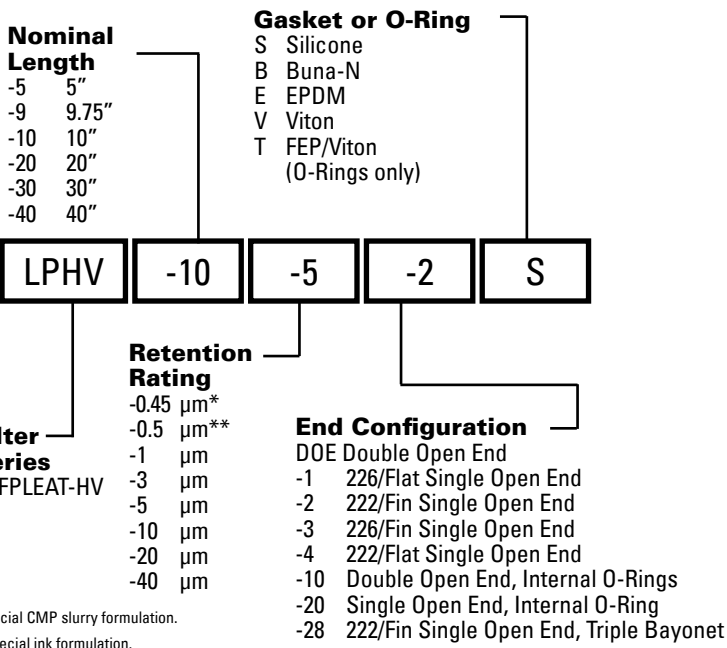
The LOFPLEAT-HV media (below) features high-loft pleats for filtration of high viscosity substances.

LOFPLEAT-HV Flow Rate* (70°F/21°C per 10" cartridge)



* For liquids other than water, multiply pressure drop by fluid viscosity in centipoise

Filter Specification Code



* Special CMP slurry formulation.

** Special ink formulation.

Eaton Technologies GmbH Hydraulics Group Filtration Division

Auf der Heide 2
53947 Nettersheim, Germany
tel.: +49 2486 809 0
fax: +49 2486 809 800
email: info-filtration@eaton.com
www.eaton.de/filtration

Eaton Technologies GmbH Hydraulics Group Filtration Division Bron branch

La Tour Sier
129 boulevard Pinel
69500 Bron, France
tel.: +33 4 72 78 84 50
fax: +33 4 78 74 43 07
email: info-filtration@eaton.com
www.eaton.com/filtration

Customer Service EMEA

Austria	tel.: 0800 29 36 89	fax: 0800 29 36 90
Belgium	tel.: 0800 77 0 22	fax: 0800 77 0 23
France	tel.: +33 4 72 78 84 50	fax: +33 4 78 74 43 07
Germany	tel.: +49 2486 809 400	fax: +49 2486 809 500
Italy	tel.: 800 78 58 83	fax: 800 78 58 84
Luxembourg	tel.: 800 2 42 98	fax: 800 2 42 99
Netherlands	tel.: 0800 0 22 27 03	fax: 0800 0 22 26 95
Spain	tel.: 900 98 49 15	fax: 900 98 49 14
UK	tel.: +44 1206 593 128	fax: +44 1206 593 129
Export	tel.: +49 2486 809 470	fax: +49 2486 809 570



Powering Business Worldwide

Subject to technical and editorial changes. © 2013 Eaton Corporation. All rights reserved. All trademarks and registered trademarks are the property of their respective owners. Printed in Germany.