

C-3055

Fulflo® NP Filter Vessels

Fulflo® Natural Polypropylene Vessels for High Purity Applications

Parker's Fulflo® NP series vessels feature pure natural polypropylene construction. The NP series is an ideal economical alternative to stainless steel and fluoropolymer vessels for filtration of corrosive fluids. They are essential for applications and processes demanding high purity filtration. Availability of 10-inch and 20-inch lengths and both single and double-open-end seal designs adds additional versatility.

Benefits

- Fulflo® NP series vessels available in two lengths and two seal designs offer versatility
- Several O-ring options maximize compatibility choices. Viton* is standard
- Smooth fluid contact surfaces prevent bacteria and contaminant build-up
- U-bracket available for pipe mounting
- Mounting bosses in head accommodate L-bracket
- Securely retained head-to-shell O-ring ensures effective sealing by positive tangential contact and eliminates accidental misalignment
- Positive head-to-shell "stop" prevents overtightening
- Individual packaging ensures cleanliness until use



- NP vessels accept all standard double-open-end and single-open-end 2-222 O-ring design Fulflo filter cartridges
- NP vessels of pure polypropylene meet FDA requirements for edible and potable liquid filtration
- Available with pressure relief vent or threaded vent and drain
- Service wrenches available for easy installation
- NP vessels totally incinerable after useful life

Applications

- DI Water
- Inorganic Chemicals
- Photographic Solutions
- Organic Solvents
- Process Gases
- Electronic Grade Chemicals



ENGINEERING **YOUR** SUCCESS.

Fulflo® NP Filter Vessels

Specifications

Materials of Construction:

Vessel 100% natural FDA grade polypropylene
 Head-to-shell 2-240 O-Ring:
 Standard (Industrial Grade): Viton*
 Optional (FDA Grade): Buna-N, EPDM, Silicone, FEP encapsulated silicone
 Pressure Relief Button O-Ring: Buna-N only

Maximum Recommended Operating Conditions:

Temperature:
 125°F (52°C) @ 100 psi (6.9 bar)
 Pressure:
 150 psi (10.3 bar) @ 75°F (22°C)
 Flow Rate:
 6 gpm (23 lpm) for 10 in vessel
 12 gpm (45 lpm) for 20 in vessel

Recommended Cartridge Dimensions:

NP10:
 2-3/8 in to 2-3/4 in O.D. x 1 in I.D.
 x 9-5/8 in to 9-13/16 in long
 NP20:
 2-3/8 in to 2-3/4 in O.D.
 x 1 in I.D. x 19-7/8 in to 20-1/16 in long

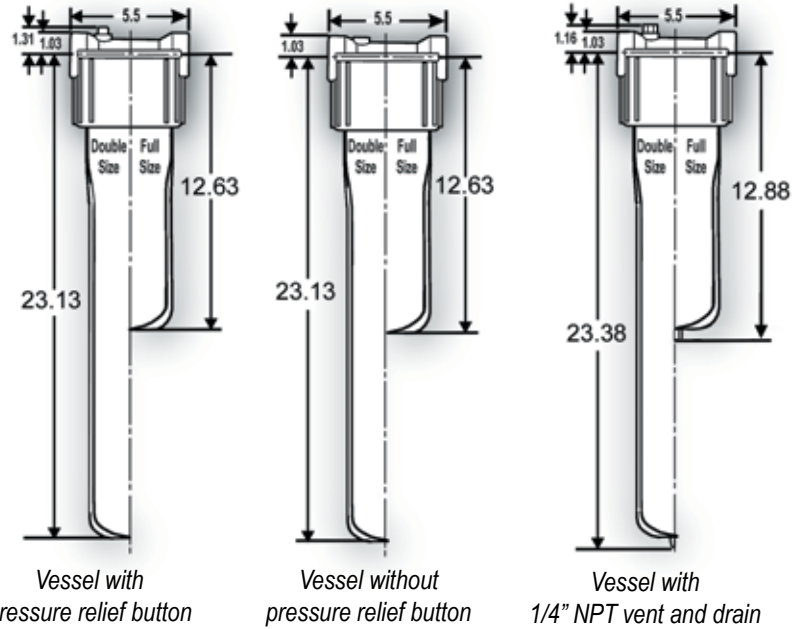
Connection Dimensions:

Inlet/Outlet: 3/4 in (19 mm) NPTF
 Vent/Drain: 1/4 in (6.4 mm) NPTF

Cartridge Seal Designs:

"TC":
 Single-Open-End with 222 O-ring receptacle
 "DO":
 Double-Open-End with knife edge seal; also accepts 213 O-ring seal cartridge (PR code)

Vessel Assembly Dimensions:



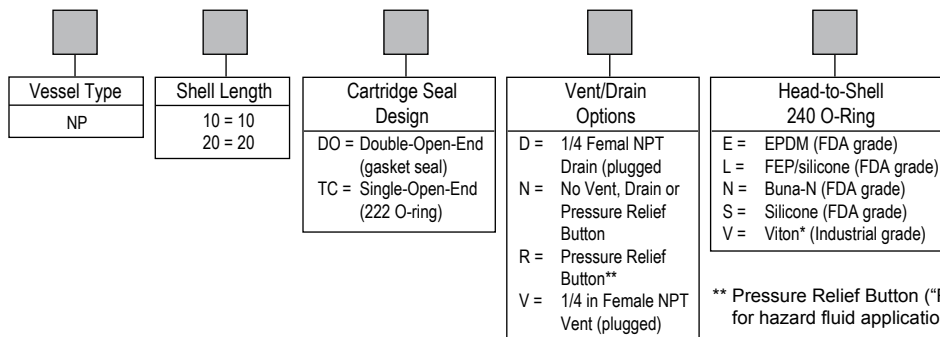
Compatible Chemicals (125°F max. temp.)

Acetic Acid	50%
Acetone	99.5%
Ammonium Fluoride	40%
Ammonium Hydroxide	10%
Hydrochloric Acid	37%
Hydrofluoric Acid	49%, 52%
Nitric Acid	10%
Phosphoric Acid	85%
Potassium Hydroxide	45%
Sodium Hydroxide	50%
Tetrachloroethylene	99.0%

Standard Vessel Assemblies

NP10-DO-N-V	NP20-DO-N-V
NP10-DO-R-V	NP20-DO-R-V
NP10-DO-DV-V	NP20-DO-DV-V
NP10-TC-N-V	NP20-TC-N-V
NP10-TC-R-V	NP20-TC-R-V
NP10-TC-DV-V	NP20-TC-DV-V

Ordering Information



** Pressure Relief Button ("R") not recommended for hazard fluid applications.

Specifications are subject to change without notification.
 *Viton is a registered trademark of E.I. DuPont de Nemours & Co., Inc.

© 2007 Parker Hannifin
 Process Advanced Filtration Inc.
 All Rights Reserved
 SPEC-C3055-Rev. A 01/08



ENGINEERING YOUR SUCCESS.