

SZS Series Filter Capsules (Push to Connect Capsule)

Quick Connection on Capsule Filter

PureFlo® SZS Series capsules are designed for quick wetting of the membrane and easy integrity testing. The ease to use quick connection allows for simple change outs to keep your process running. The filter was designed with click and lock connect installations that is easy to use and leak free utilizing quick connect couplings. This click and lock capsule filter connects to a system, machine, instrument, with one simple action: push and fit.

The filter includes an inlet port that directs the fluid to the bottom of the capsule through a down tube in the capsule, outlet port from the center filter core or filtered side, and upstream vent ports for gas removal, that all run in parallel at the top of the filter capsule. The filter has three male quick couplers that mate with three female receptors attached to the process tool of the assembly. The SZS filter modifies the flow geometry from traditional 'T-Line' or Inline to a 'E' configuration. This makes capsule assembly and disassembly smooth and easy in one plug-and-play movement. The E configuration allows for valuable space savings in equipment.

On the upstream side of the capsule, a down tube connected to the inlet fitting leads the fluids entering the capsule towards the bottom, ensuring the full displacement of the fluids by the fresh fluids from bottom up. This design enables extremely fast thermal dispersion and temperature uniformity for hot water sanitization of the entire filter. This design prevents preferential flow through an area nearest to the inlet. Filters can also be equipped with a RFID for recording installation, usage cycles, integrity test or traceability for production batch records.

The SZS is offered in 4 different media options in different pore sizes for each media. The main benefit of the SZS is the ease of pre and post integrity testing for the validation of filtered product. The SZS capsule is simple to use, reduces change out times and is leak-free. They make connecting filter capsules easy, reliable and fast with fewer accessories. All units are 100% integrity tested. No adhesives, binders, or surfactants are used in the manufacturing process.

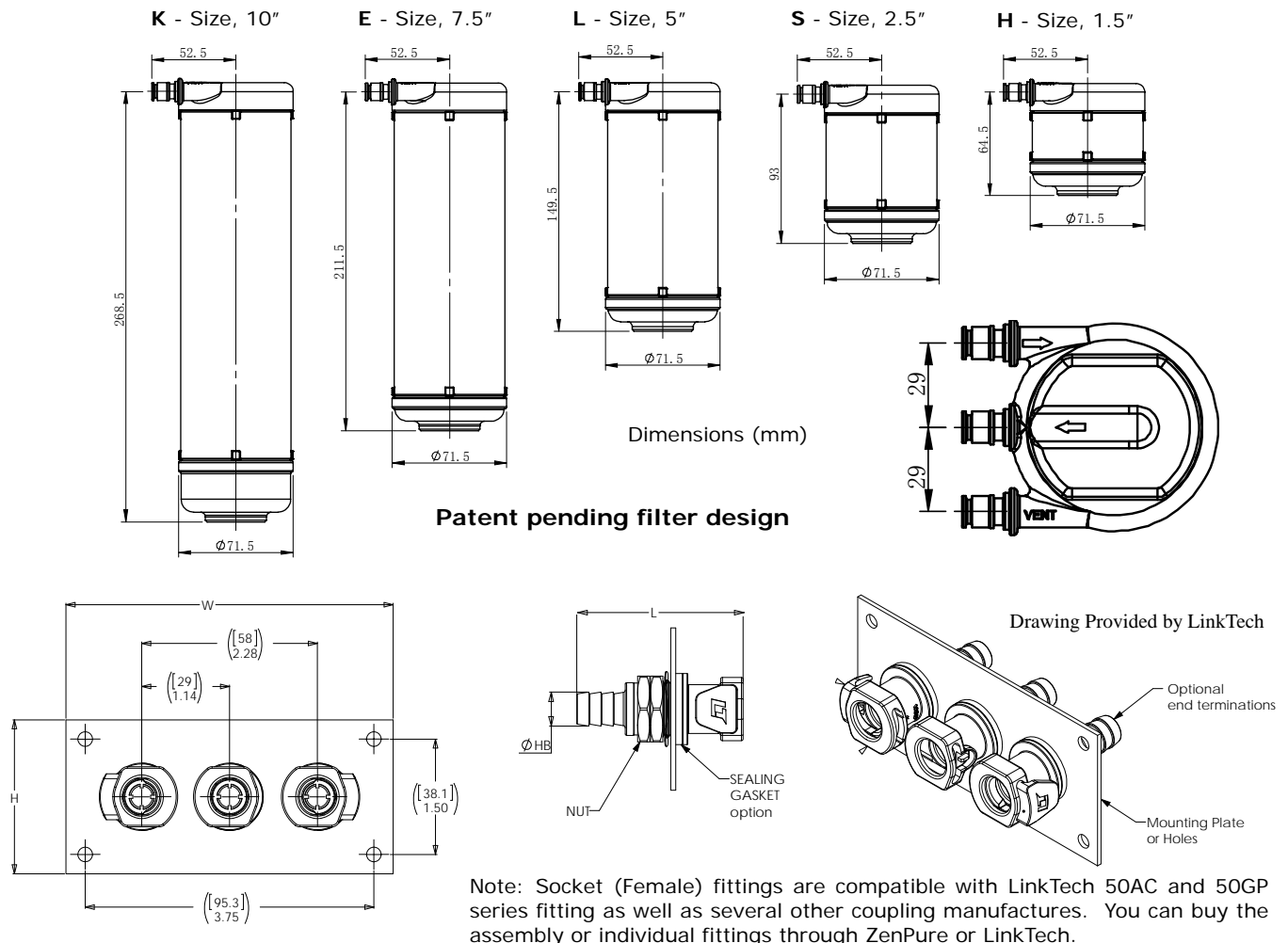


Applications

Lab scale testing	Beverages
Bio Bags	Pharmaceuticals
Fine Chemicals	Biologics
Water	Scale up processing

Specifications

Materials of Construction:	Media: Charged Nylon, Nylon, Philic PTFE, and PES, Media Supports: Polyester Cage, Core: Polypropylene, End Caps: Nylon Sealing: Thermally-welded, o-ring
Fitting Connections:	1/4" Male Quick couplings (Custom adaptors available upon request)
Nominal Dimensions:	Length: 10", 7.5", 5", 2.5", 1.5" internal filter cartridge (See drawing for actual length) Diameter: 2.8 in. (71.5 mm)
Available Ratings:	0.04um to 10um (see Ordering Guide)
Operating Conditions:	Maximum Operating Pressure: Liquid: 5.5 bar (80psi) at 72°F/22°C Maximum Forward Differential Pressure: 5.0 bar (72 psid) at 72°F/22°C Maximum Reverse Differential Pressure: 2.1 bar (30 psid) at 176°F/80°C Maximum Operating Temperature: PP, Gamma PP & Nylon: 176°F/80°C Minimum Burst Pressure: 8.3 bar (120 psid) at 72°F/22°C
Autoclavable & Sanitizable:	Polypropylene capsules can be autoclaved 25 times at 257°F/125°C for 30 minutes or chemically sanitized in situ using common sanitizing agents or hot water at 194°F/90°C for a limited time (dependent on time and temperature). Capsules must not be in situ steam-sterilized.
Regulatory Compliance:	The filters are constructed with resins and filtration media in compliance with 21CFR Part 177 of the US Code of Federal Regulations and USP Class VI Biological Test for Plastic. Flammability rating for the PP shell material is UL94HB.



SZS Series Filter Capsules

PureFlo SZS Series Filter Capsule Ordering Guide

PureFlo Capsule Filters	Filter Media	Pore size (Micron)	Length	Inlet Fitting	Outlet Fitting	Options	
SZS = Capsule filter "E" configuration Quick Connect Nylon end-caps Polyester Membrane support Polypropylene Shell, Cage & Core	CN = Charged Nylon HF = Hydrophilic PTFE N = Nylon S = PES	Pick From Pore Size Table	H = 1.5" S = 2.5" L = 5" E = 7.5" K = 10"	2QP = 1/4" Male Quick Coupling for Plastic latch	2QP	Grades	Prefilter (add before Filter Media in part#) G(pore Size) = Glass Fiber PreFilter P(pore Size) = PolyPro Media PreFilter S(pore Size) = PES PreFilter
			Blank = Pharma Grade			Shell Material	
						Blank = Gamma stabilized PP Shell	
						Vent	
						-N = No vent fitting	
						Sterilization	O-Ring for Quick
						-ETO = Ethylene Oxide	Blank = O-ring Silicon (Standard)
						RFID CHIP	-OE = O-ring EPDM
						-RI = RFID Chip	-ON = O-ring Nitrile
							-OV = O-ring Viton
Example - SZS Series, PES, 0.2um, 2.5" internal filter, 1/4" Male Quick Coupling for Plastic Lach I/O, with Gamma stabilized PP shell is SZSS020S2QP2QP							
Example with Pre-Filter - SZS Series, PES 0.8um prefilter, PES 0.2um, 2.5" internal filter, 1/4" Male Quick Coupling for Plastic Lach I/O is SZSS080S020S2QP2QP							



PureFlo SZS Series Media & Pore Size options



Pore size (Micron)			
Charged Nylon (CN)	PTFE Phillic (HF)	Nylon (N)	PES (S)
005 = 0.05	010 = 0.1	005 = 0.05	005 = 0.05
010 = 0.10	020 = 0.2	010 = 0.10	010 = 0.1
020 = 0.20	045 = 0.45	020 = 0.20	020 = 0.2
045 = 0.45	100 = 1.0	045 = 0.45	045 = 0.45
065 = 0.65	300 = 3.0	065 = 0.65	065 = 0.65
080 = 0.80	500 = 5.0	080 = 0.80	080 = 0.8
120 = 1.20	999 = 10.0	120 = 1.20	120 = 1.2

Your Local Distributor:

ZenPure

North & South Americas:
 ZenPure Americas, Inc
www.zenpure.com
Info-us@zenpure.com
 703-335-9910

All Other Regions:
 ZenPure Corporation
www.zenpure.com
info@zenpure.com
 +86 571 2288 6800

ZenPure and PureFlo are registered trademarks of ZenPure Corporation or an affiliated company. LinkTech is a registered trademark of LinkTech LLC. Copyright 2003-2012 ZenPure or an affiliated company. All rights reserved.

