

SHJ Series Stainless Steel (Big Blue) Filter Housing

The SHJ Series are industrial filter housings that accommodate 4 1/2" diameter filter cartridges and conform to NSF/ANSI Standard 42.

These rugged housings offer all stainless steel construction and have a double o-ring seal. A ring-nut closure allows for easy filter cartridge access.

The SHJ Series Filter Housings are compatible with a wide range of fluids. Various cartridge types can be used including Wound, Melt Blown, Pleated, Carbon, Resin Bonded, Stainless Steel and others.

10" and 20" sizes are available and include a mounting bracket and ring-nut wrench as standard. Flow capacities are determined by the type of cartridge utilized and process conditions.



Benefits

Heavy Duty Construction for Harsh Environments

High Flow Capacity with (Big Blue) Size Cartridges

Long Service Life

Included Mounting Kit for Easy Installation

Ring-Nut Closure Allows for Quick Cartridge Change Outs

Applications

Food and Beverage

Chemical Processing

Heating/Cooling Systems

RO Prefiltration

Water Purification Systems

High Temperature Fluids

Specifications

Holds one 4.5"x10" or 4.5"x20" Cartridge, DOE

Max Working Pressure: 300PSI/20.7 Bar

Max Working Temperature: 200F/97C

Inlet/Outlet: 1", 1 1/2" npt, 150lb and 300lb ANSI RF
Flanges optional

Weight: 10", 6.6lbs/3kg
20", 8.8lbs/4kg

Drain: 1/8" npt

Materials of Construction

Head and Sump: AISI 304 Stainless Steel

Mounting Bracket: Steel

O-ring: Silicone std, others available upon request

Conforms to NSF/ANSI Standard 42 for material and structural requirements.

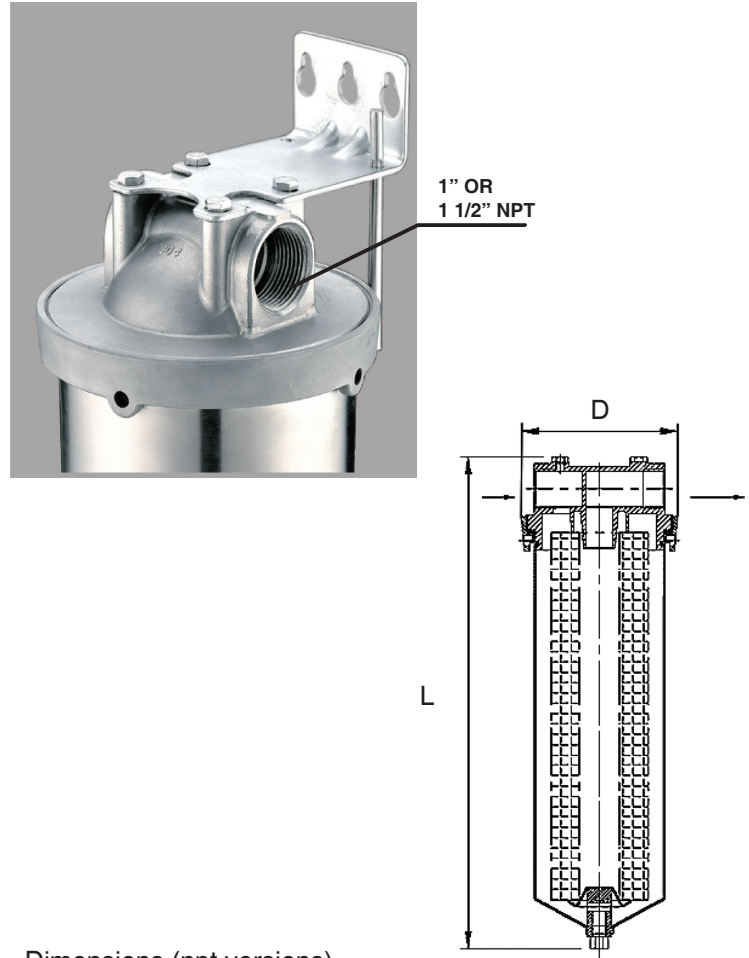
Accessories

Differential Pressure Gauges/Transmitters

Flowmeters

Duplex Systems

Skid/Package Systems



Dimensions (npt versions)

Model	In/Out Threads	mm		Inches	
		L	D	L	D
SHJ - 10	1"	395	148	15.5	5.8
	1.5"	420	148	16.5	5.8
SHJ - 20	1"	650	148	25.6	5.8
	1.5"	675	148	26.6	5.8

Model Code/Ordering Information

MODEL	IN/OUT THREADS	In/Out Size	Accessories
SHJ	10 = 10 inches 20 = 20 inches	1 = 1" npt 1.5 = 1 1/2" npt 1F = 1" 150lb 304 SST Flanges 1.5F = 1.5" 150lb 304 SST Flanges 1F3 = 1" 300lb 304 SST Flanges 1.5F3 = 1.5" 300lb 304 SST Flanges	Blank = None G = DP gauge integrally mounted S = Special

EXAMPLE: SHJ-10-1, 304 SST Housing for one 4.5"x10" cartridge, 1" npt, no accessories.