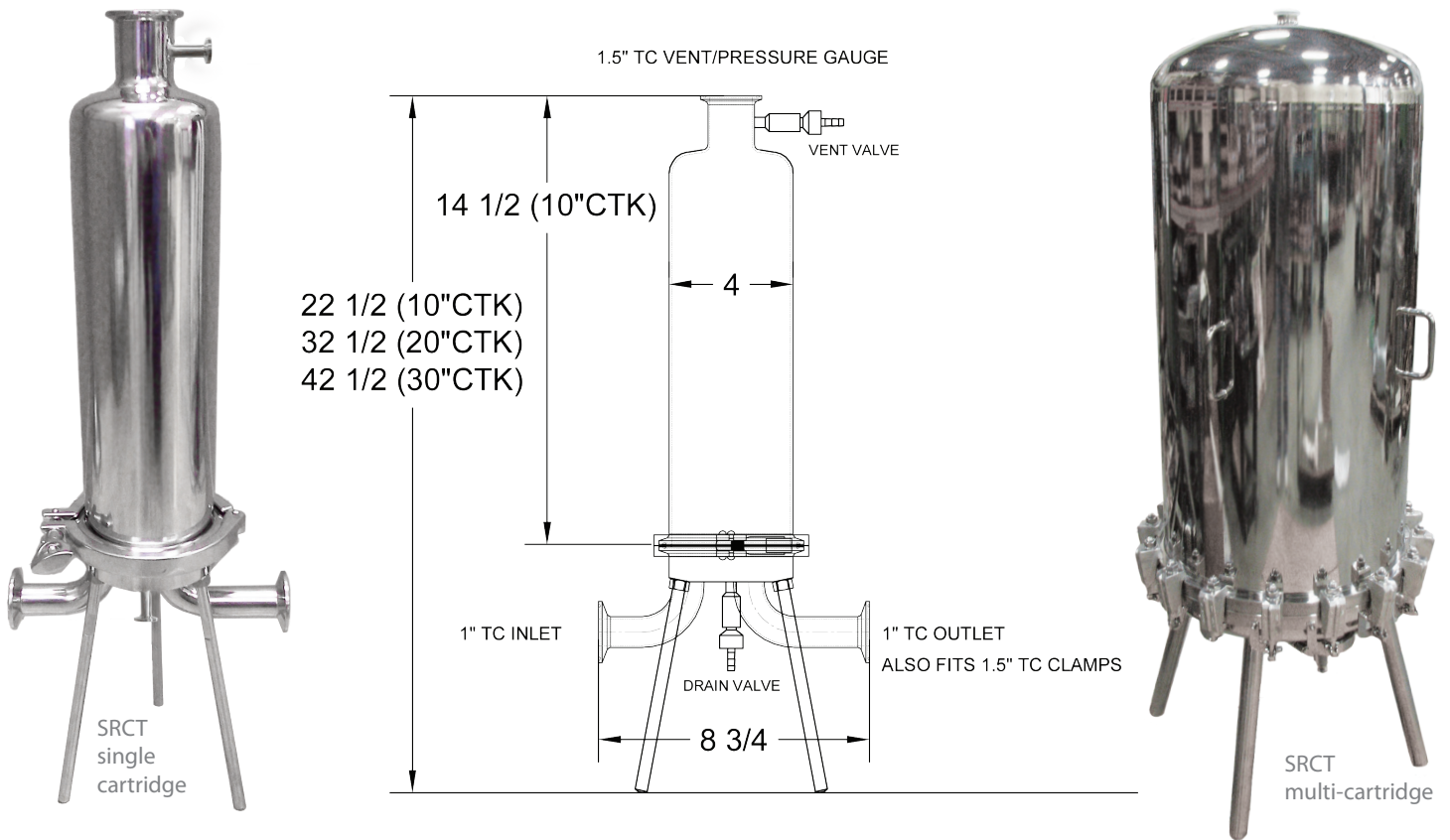


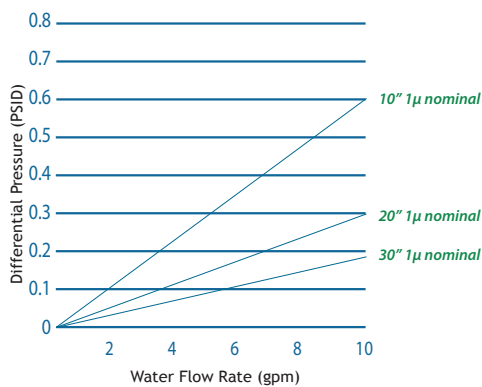
SRCT / SRVT

150 PSI / 100 PSI Sanitary 316L Stainless Steel Cartridge Vessels

The SRCT and SRVT Sanitary Cartridge Vessel offer the aesthetics and operational durability of stainless steel at affordable prices. The SRCT's innovative design ensures optimal cleanability in critical areas and can accommodate either 10", 20" or 30" cartridges in a single cartridge housing and 20", 30" or 40" filter cartridges in a multi-cartridge vessel. SRCT filters are designed specifically for liquid filtration in the food and beverage industry, offering microbiological safety, corrosion resistance and durability. SRVT filters offer the same innovative design with a 100 PSI maximum operating pressure at 200°F.



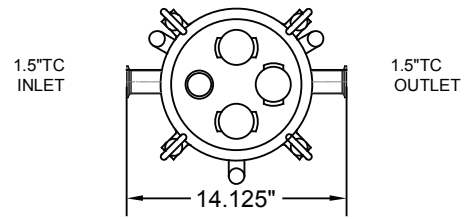
Performance Characteristics (Single-cartridge)



Features & Benefits

SRCT single & multi-cartridge

- Electropolished finish ensures optimal cleanability in critical areas.
- Stainless steel legs.
- Sterilization using in-line steam, autoclave or hot water.
- Maximum Operating Pressure: 150 psi (67°F)



SRCT single cartridge only

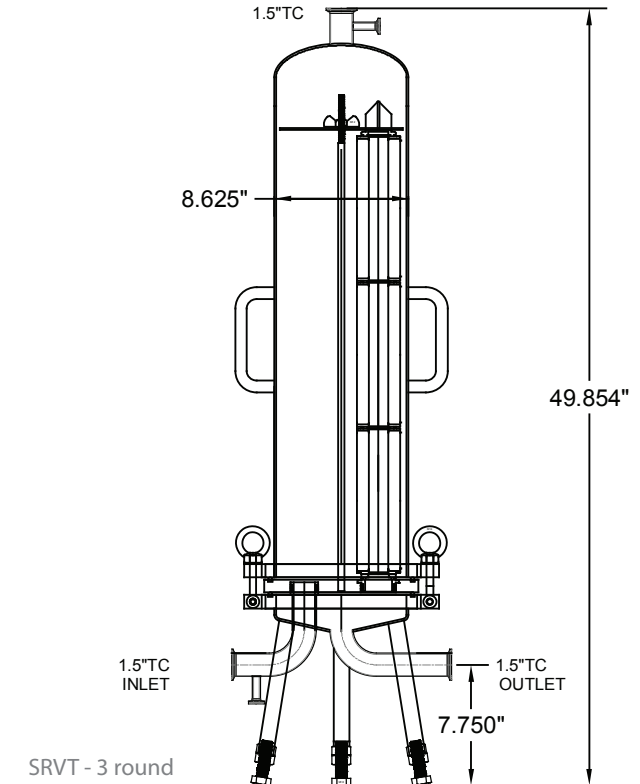
- Fitted for code 7 filter cartridge.
- Max. Differential Pressure: 25 PSID
- Max. Flow Rate: 25 GPM water
- Filter Cartridge Life: 0-25 PSID
- Flow Range: 1-20 GPM

SRCT multi-cartridge only

- Fitted for code 7 and code 6 filter cartridges.

SRVT (100psi series) single & multi-cartridge

- 316 Stainless
- 32Ra finish inside and out
- Removable cartridge plates for cleaning
- Bleeder valve vents and drains
- 100 PSI @ 200F
- Silicone Gaskets
- Holds 226/Fin (C7) Cartridges



This is not a comprehensive list. We can build your vessel to suit your specifications. Call one of our customer service representatives for pricing and availability.

Ordering Information

Strainrite Sanitary Cartridge Vessel

SRCT

Code Cartridge Count		Element Length	Code Inlet/Outlet	Code Construction Materials	Code End-Cap
1RND	1-round cartridge	*10	1TC	C 316 Stainless Steel	C6 Flat/226 C7 Fin/226
3RND	3-round cartridges	20	2TC		
5RND	5-round cartridges	30	3TC		
8RND	8-round cartridges	**40			
12RND	12-round cartridges	<small>*1-cartridge house only **Not available with 1-cartridge housing</small>	<small>*1-cartridge house only</small>		
18RND	18-round cartridges				
24RND	24-round cartridges				
30RND	30-round cartridges				

Strainrite Sanitary Cartridge Vessel 100 psi

SRVT

Code Cartridge Count		Element Length	Code Inlet/Outlet	Code Construction Materials	Code End-Cap
1RND	1-round cartridge	*10	1TC	C 316 Stainless Steel	C7 Fin/226
3RND	3-round cartridges	*20	1.5TC		
5RND	5-round cartridges	30	2TC		
7RND	7-round cartridges	<small>*1-cartridge house only</small>	<small>*1" Tri-Clover **1.5" Tri-Clover ***2" Tri-Clover</small>		
12RND	12-round cartridges	<small>*1-cartridge house only **3,5,7-cartridge house only ***12-cartridge house only</small>			