

Filtrafine TOP-Flow Series T Style Filter Housings

Suitable for Generation 6 and 7 TFT-LCD Process and Ultrapure Water Applications

- Designed for Use with Mega – Flow Cartridge, 100% Pure Virgin Polypropylene – No Talc, Fillers, Colorants, Plasticizers and Lubricants
- JIS 25A and 40A Inlet/Outlet Connection Assure High Flow Rates – Additional Inlet/Outlet Connection Types Available on Request
- Suitable for Generation 6 and 7 TFT – LCD Glass Cleaning and High End Process Filtration Applications
- Polypropylene Material Suits for Ultra Pure Water, Cleaning Process and Chemical Filtration
- Accepts Mega – Flow Series 222 or 226 O – rings Filter Cartridges – Can Accommodate Competitive Filter Cartridges of Similar Dimensions
- Excellent for Submicron Applications
- All Materials are FDA Listed for Food and Beverage Contact
- Economical Alternative to Fluoropolymer Filter Housings



Housing Specifications

Materials of Construction:

- Head: Pure Virgin Polypropylene – No Talc, Fillers, Plasticizers, Lubricants
- Bowl: Standard: Pure Virgin Polypropylene – No Talc, Fillers, Plasticizers, Lubricants
Optional: PC (Polycarbonate)
- Gaskets / O-rings: Standard: EPDM
Optional: Viton, Teflon Encapsulated Viton

Connections:

- Inlet / Outlet: Standard: JIS 25A, 40A Union
Optional: Consult Factory
- Vent/Gauge: 1/4" (13.7mm) NPT
- Drain: 1/4" (13.7mm) NPT

Performance Specifications

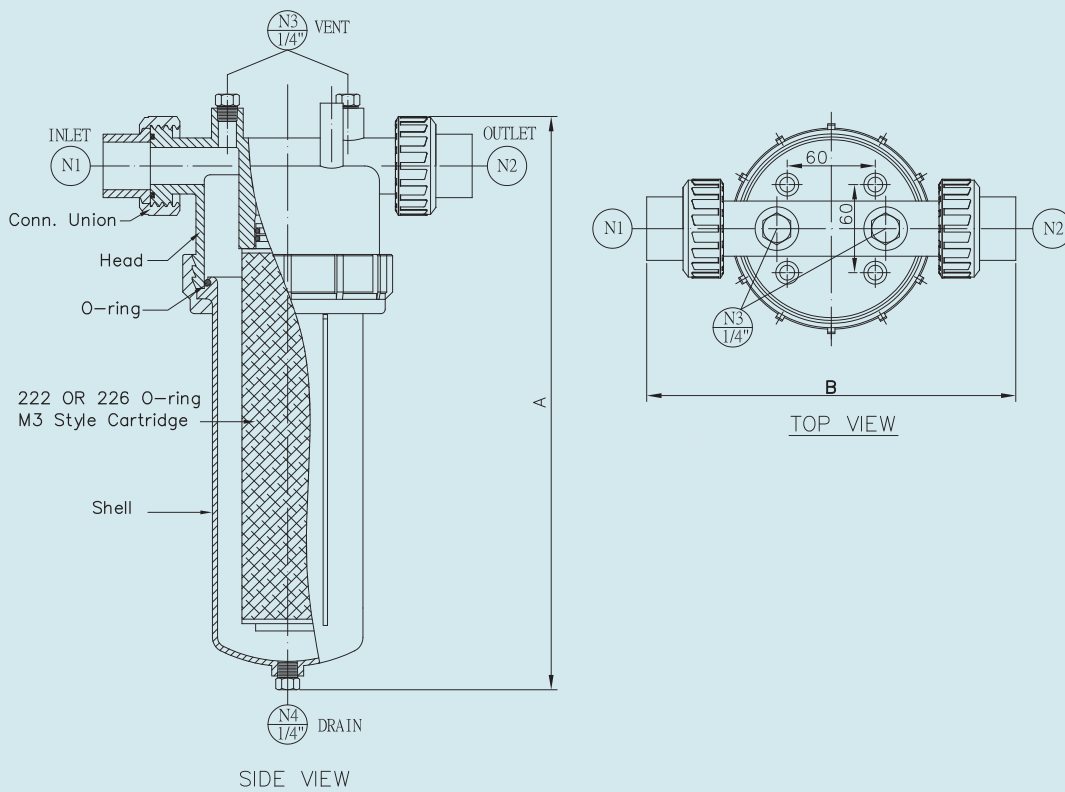
- Maximum Operating Pressure: 100 psig (6.9bar) @77°F (25°C)

FDA Listed Materials:

Manufactured from Materials Which are FDA Listed for Food Contact Applications in Title 21 of the U.S. Code of Federal Regulation

Dimensional Data

Housing Model	Liquid Flow Rate gpm (lpm)	Dimension Inches (mm)		Dry Weight lbs (kg)
		A	B	
TFT10-25A-3	to 20 (75.5lpm)	15" (380mm)	9.8" (250mm)	2.3lbs (1.1kg)
TFT10-40A-6	to 30 (113.6lpm)	15.5" (394.5mm)	10.3" (261.9mm)	3.4lbs (1.5kg)



Ordering Information

TFT Product Name	10 - Cartridge Length	25A - Inlet / Outlet Connection Size	6 Cartridge Type
Top-Flow	10 = 10" PP 10C = 10" PP + PC	25A = 1" Union 40A = 1 1/2" Union	3 = Single Open Ended with 222 O-rings, Flat Closed End 6 = Single Open Ended with 226 O-rings, Flat Closed End