

## ZenCap<sup>®</sup> Full Size General Grade Capsules

### 10"-40" Disposable Filtration

ZenCap<sup>®</sup> General grade capsule filter assemblies are full size filters that offer high flows, increased throughputs, high strength, all with the convenience and cleanliness of a disposable and easy-to-install filter assembly. Designed for pre-filtration, clarification in chemical, water and other industries applications.

ZenCap<sup>®</sup> capsule assemblies are available with a wide range of hydrophilic and hydrophobic filter media and pore sizes for liquid, gas, and venting applications. Engineers can choose from 17 filtration medias to create a filtration setup. These will allow for a disposable process to become truly flexible, clean, and optimal. The filter are made and bagged in a clean room environment

They can be built in a T-style or In-line configuration with 12 inlet and outlet fitting connections that can be mixed and matched. The filtration shell is an all-polypropylene construction that provides excellent chemical compatibility. The shell and supports can also be constructed in nylon, polyethylene or gamma stabilized PP shells for additional compatibility. No adhesives, binders, or surfactants are used in the manufacturing process.

For integrity tested and flushed filters you need to upgrade to Standard or Pharmaceutical grade filter. General grade are only manufactured and bagged.



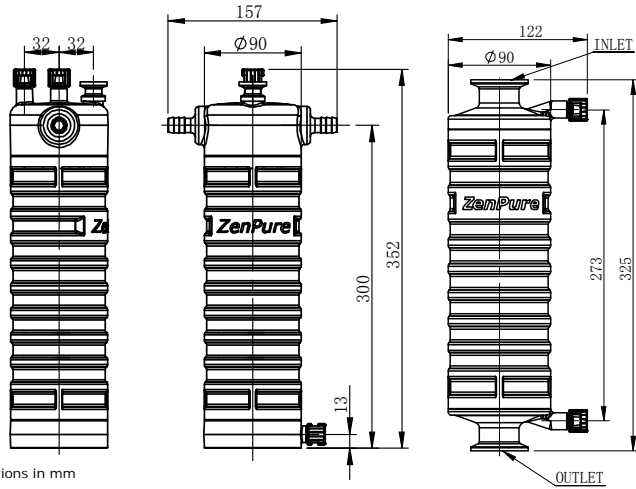
### Applications

Clarification	Industrial
Hard Particle	Oils, Waters
Inks, Dyes	Industrial
Chemicals	Disposable

### Specifications

Materials of Construction:	Media: Charged Nylon, Depth PP, Polyethylene, PTFE, Glass Fiber, PP Membrane, Cellulose, Nylon, Nylon Screen, PP media, PES, and Polyester Screen Media Supports: Polypropylene, PET, Nylon, or HDPE Shell, Cage, Core, End Caps: Polypropylene, Nylon, or HDPE Sealing: Thermally bonded
Fitting Connections:	12 Fittings - See Ordering Guide for availability. (Custom adaptors available upon request)
Nominal Dimensions:	Lengths: 10", 20", 30", 40" Diameter: 3.54" (90mm)
Effective Filtration Area:	See Cartridge Datasheet for more information (Dependent on Media)
Available Ratings:	0.04um - 200.0um (Dependent on Media)
Operating Conditions:	Maximum Forward Differential Pressure: Liquid: 5.5 bar (80psi) at 72°F/22°C Gas: 4.1 bar (60psi) at 72°F/22°C Minimum Burst Pressure: 8.3 bar (120psi) at 72°F/22°C Maximum Forward Differential Pressure: 5 bar (72psi) at 72°F/22°C Maximum Reverse Differential Pressure: 3.0 bar (44psi) at 72°F/22°C Maximum Operating Temperature: PP & Gamma PP: 176°F/80°C HDPE: 140°F/60°C
Regulatory Compliance:	The filters are constructed with polypropylene resins and filtration media in compliance with 21CFR Part 177 of the US Code of Federal Regulations and USP Class VI Biological Test for Plastics.

## ZenCap<sup>®</sup> Full Size General Grade Capsules



Dimensions in mm

### Specifications (cont.)

**Autoclavable & Sanitizable:**  
 Capsules can be autoclaved 25 times at 257°F/125°C for 30 minutes (Nylon 5 times) or chemically sanitized in situ using common sanitizing agents or hot water at 194°F/90°C for a limited time (dependent on time and temperature). Capsules must not be in situ steam-sterilized.

### ZenCap General Grade Capsule Ordering Guide

ZenCap Capsule Series	Configuration	Length	Filter Media	Pore size (Micron)	Vents **	Input Fitting	Output Fitting	Options	
G = General Grade  90mm Diameter Capsule for full size cartridges	I = In-Line T = T-Line  Other configurations available C = C-Line S = S-Line L = L-Line	1 - 10"	A = Cellulosic Acetate	Pick From Pore Size Table	A = No vents B = 1/2" Sanitary vent C = 1/2" Sanitary vent, with upstream and down stream 1/4" Bleed Valve D = 1/2" Sanitary vent, with upstream 1/4" Bleed Valve E = 1/2" Sanitary vent, with down stream 1/4" Bleed Valve F = Inlet and Outlet 1/4" Bleed Valve G = Inlet 1/4" Bleed Valve H = Outlet 1/4" Bleed Valve Note: Option B, C, D & E not for In-Line	10FV = 1/8" Female Quick connect 10V = 1/8" Male Quick connect w 20FV = 1/4" Female Quick connect 20V = 1/4" Male Quick connect w 3H = 3/8" Hose Barb 4H = 1/2" Hose Barb 4Q = 1/2" Male Quick connect 5H = 9/16" Hose Barb 6H = 3/4" (19mm) Hose Barb 8H = 1" (25mm) Hose Barb TC = 1-1/2" Tri-Clamp 2T = 2" Tri-Clamp	10FV 10V 20FV 20V 3H 4H 4Q 5H 6H 8H TC 2T	Shell Material	Prefilters
		2 - 20" 3 - 30" 4 - 40"	CN = Charged Nylon C = Carbon Fiber CN = Charged Nylon DP = Depth Poly Pro E = Polyethylene F = PTFE G = Glass Fiber M = PolyPro Membrane N = Nylon NS = Nylon Screen P = PolyPro Media S = PES TS = Polyester Screen * = Empty Shell					Blank = Polypropylene E = Polyethylene N = Nylon Sterilization -ETO = Ethylene Oxide Sterilization O-Rings Blank = O-Ring Silicon (Standard) -OE = O-Ring EPDM -ON = O-Ring Nitrile -OV = O-Ring Viton	-G(pore Size) = Glass Fiber Pre-filter -P(pore Size) = PolyPro Media Pre-filter -S(pore Size) = PES Pre-filter
Example 1 - ZenCap G Series Capsule, T-Line, PES 0.45um/0.2um, 20" filter, with all vent and drains, 1.5" Tri-Clamp fittings I/O, would be GT2S045020CTCTC Example 2 - ZenCap G Series Capsule, In-Line, GF0.5um/PES 0.2um, 10" filter, with all vent and drains, 1.5" Tri-Clamp fittings I/O, would be GI1G050S020CTCTC									
Notes: For -E or -GP options, the standard pleat support will be PET for gamma stability					** 1/4" Drain bleed Valve standard on all T-Line filters Except for option A				

Pore size (Micron)																
Cellulose Acetate (A)	Carbon Fiber (C)	Charged Nylon (CN)	Depth PP (DP)	PTFE (F)	Glass Fiber (G)	PP Membrane (M)	Nylon (N)	Natural Glass Fiber (NG)	Nylon Non-Woven Media (NN)	Nylon Screen (NS)	PP Media (P)	Polypro Screen (PS)	Wrapped PP Media (RP)	PES (S)	Polyester Screen (TS)	Polyethylene (UE)
020 = 0.20	Leave pore size blank for Carbon Fiber	0.05	002 = 0.2	010 = 0.1	002 = 0.2	010 = 0.1	005 = 0.05	005 = 0.5	010 = 1	070 = 7	003 = 0.3	10X = 100	003 = 0.3	004 = 0.04	050 = 5	010 = 0.1
045 = 0.45		0.10	005 = 0.5	020 = 0.2	004 = 0.45	020 = 0.2	010 = 0.10	010 = 1.0	030 = 3	100 = 10	006 = 0.6	21X = 210	005 = 0.6	010 = 0.1	070 = 7	020 = 0.20
065 = 0.65		0.20	020 = 0.2	045 = 0.45	005 = 0.5	020 = 0.20	020 = 0.20	030 = 3.0	050 = 5	200 = 20	010 = 1.0	26X = 260	010 = 1.0	020 = 0.2	100 = 10	045 = 0.45
080 = 0.80		0.45	015 = 1.5	100 = 1.0	010 = 1.0	045 = 0.45	045 = 0.45	050 = 5.0	100 = 10	400 = 40	030 = 3.0	30X = 300	030 = 3.0	045 = 0.45	200 = 20	100 = 1.0
120 = 1.20		0.65	025 = 2.5	300 = 3.0	030 = 3.0	030 = 3.0	065 = 0.65		200 = 20	600 = 60	050 = 5.0	35X = 350	050 = 5.0	065 = 0.65	300 = 30	
		0.80	045 = 4.5	500 = 5.0	050 = 5.0	050 = 5.0	080 = 0.80		400 = 40	10X = 100	070 = 7.0	46X = 460	070 = 7.0	080 = 0.8	400 = 40	
		1.20	100 = 10	999 = 10.0	100 = 10.0	100 = 10.0	120 = 1.20			20X = 200	100 = 10.0	50X = 500	100 = 10.0	120 = 1.2	600 = 60	
			200 = 20		200 = 20.0	200 = 20.0				25X = 250	200 = 20.0	98X = 980	200 = 20.0		730 = 73	
					300 = 30.0	300 = 30.0					300 = 30.0					
							Best for Gas Applications		Best for Liquid Applications		400 = 40.0					
										500 = 50.0						
										700 = 70.0						
										10X = 100						
										15X = 150						

Your Local Distributor:

## ZenPure

North & South Americas:  
 ZenPure Americas, Inc  
[www.zenpure.com](http://www.zenpure.com)  
[Info-us@zenpure.com](mailto:Info-us@zenpure.com)  
 703-335-9910

All Other Regions:  
 ZenPure Corporation  
[www.zenpure.com](http://www.zenpure.com)  
[info@zenpure.com](mailto:info@zenpure.com)  
 +86 571 2288 6800

ZenPure and PureFlo are registered trademarks of ZenPure Corporation or an affiliated company. Copyright 2003-2012 ZenPure or an affiliated company. All rights reserved.

